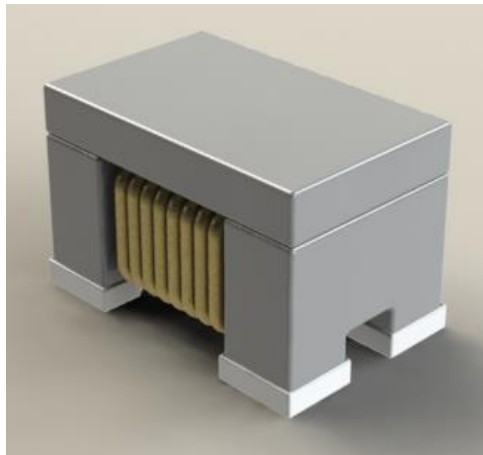


**ABCO EMC COMPONENTS**

# **Common Mode Filter**

## **ECTA43P2-N Series**



5448-4, Sangdaewon-dong, Jungwon-gu,  
Seongnam-si, Gyeonggi-do, KOREA

Sales Dept. TEL:82-31-730-5083

FAX:82-31-730-5152

Eng. Dept. TEL:82-31-730-5053

FAX:82-31-730-5153

---

**ABCO ELECTRONICS CO., LTD.**

# ECTA43P2-N Series



<http://www.abco.co.kr>

## ■ Features

1. High common mode impedance at high frequency cause excellent noise suppression performance.
2. 100% Lead(Pb) & Halogen-Free and RoHS compliant.
3. Operating temperature -40~+150°C (Including self - temperature rise)

## ■ Ordering Code

**ECTA**    **43**    **P2**    -    **510**    -    **N**

①            ②            ③            ④            ⑤

① Series name	② Dimensions(mm)	③ Number of Lines	
ECTA	32 : 3.2(L) × 2.5(W)	P2	2Lines

④ Inductance(μH)		⑤ Internal Code
110	11	N
101	100	

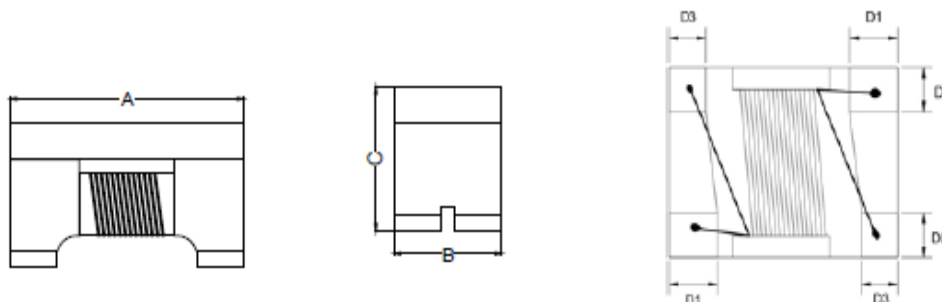
# ECTA43P2-N Series



<http://www.abco.co.kr>

## ■ Shapes and Dimensions

Unit: mm



Series	A	B	C	D1	D2	D3
ECTA43P2-N	4.5±0.2	3.2±0.2	2.8±0.2	0.75±0.2	0.85±0.2	0.60±0.2

## ■ Electrical Characteristics

Part Number	Common mode Impedance(Ω)		Inductance(μH) +50/-30%	DC Resistance (Ω) Max.	Rated Current (mA)	Rated Volt. (Vdc)	IR (MΩ) min
	min.	typ.					
ECTA43P2-110-N	300	600	11	0.6	360	50	10
ECTA43P2-220-N	500	1200	22	1.0	310	50	10
ECTA43P2-510-N	1000	2800	51	1.0	230	50	10
ECTA43P2-101-N	2000	5800	100	2.0	200	50	10

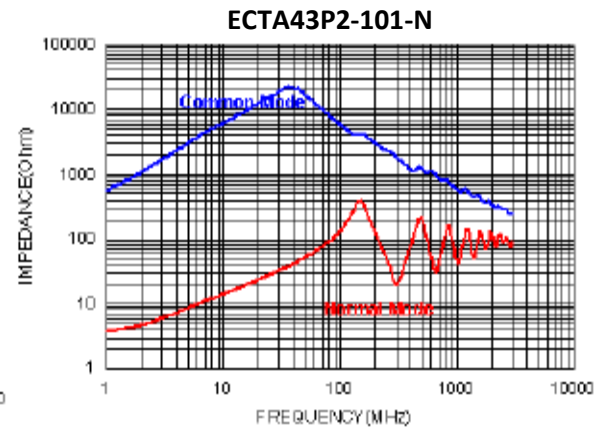
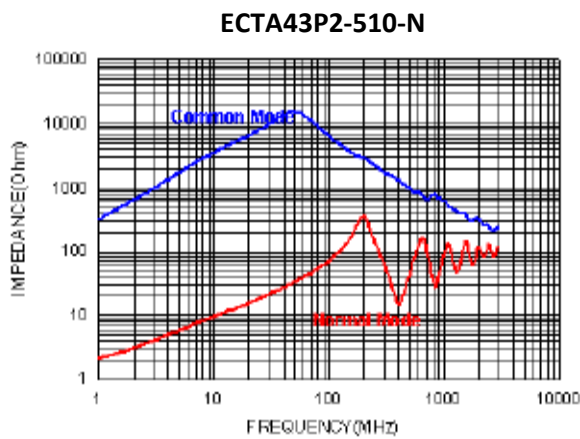
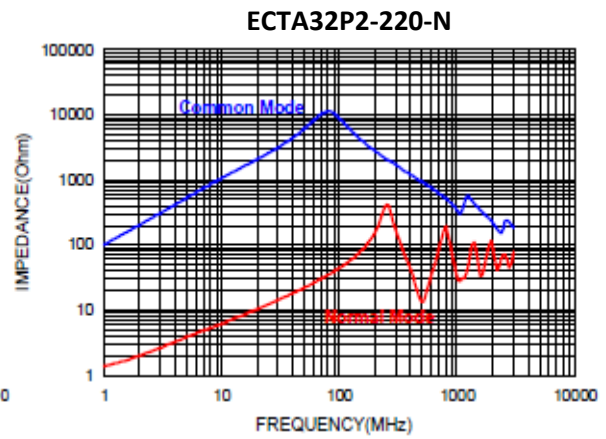
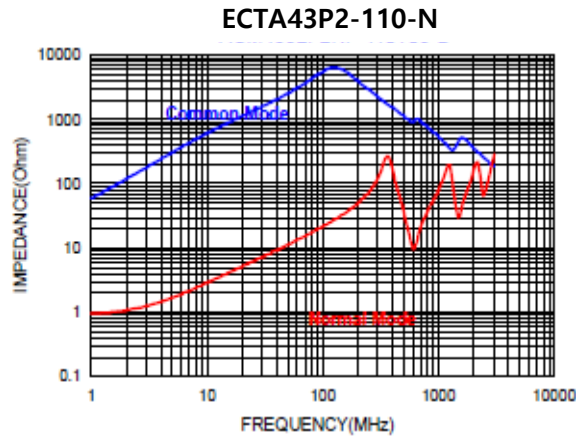
\* Test Frequency : Impedance 10MHz, Inductance 100kHz/0.1V

# ECTA43P2-N Series



<http://www.abco.co.kr>

## Typical Impedance v.s. Frequency Curve



## Schematic Diagram

