

# LMC1608-MC SERIES

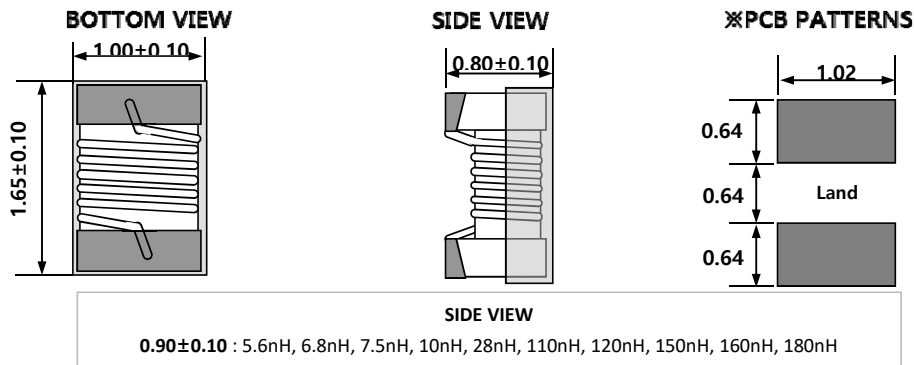


http://www.abco.co.kr

## LMC1608-MC SERIES

### SHAPE & DIMENSIONS / RECOMMENDED SOLDER LAND PATTERN

(Unit : mm)



### ELECTRICAL CHARACTERISTICS

Ordering code	Inductance [nH]	Tolerance (%)	Q (min.)	SRF Min. (MHZ)	Rdc Max. (Ω)	Idc Max. (mA)
LMC1608TP - 2N2D-MC	2.2@ 100MHZ	± 0.5nH	16	8500	0.020	2400
LMC1608TP - 3N9B-MC	3.9@ 100MHZ	± 0.2nH	24	8500	0.030	1950
LMC1608TP - 4N3B-MC	4.3@ 100MHZ	± 0.2nH	27	8500	0.032	2150
LMC1608TP - 4N7D-MC	4.7@ 100MHZ	± 0.5nH	27	8500	0.031	1950
LMC1608TP - 5N6B-MC	5.6@ 100MHZ	± 0.2nH	35	6800	0.084	1150
LMC1608TP - 6N8B-MC	6.8@ 100MHZ	± 0.2nH	28	6800	0.055	1600
LMC1608TP - 7N5B-MC	7.5@ 100MHZ	± 0.2nH	31	6400	0.055	1650
LMC1608TP - 8N2B-MC	8.2@ 100MHZ	± 0.2nH	27	4100	0.050	1700
LMC1608TP - 9N1B-MC	9.1@ 100MHZ	± 0.2nH	30	4100	0.070	1200
LMC1608TP - 9N5D-MC	9.5@ 100MHZ	± 2	29	4100	0.100	1200
LMC1608TP - 10NG-MC	10@ 100MHZ	± 2	28	3650	0.110	1000
LMC1608TP - 15NG-MC	15@ 100MHZ	± 2	32	3000	0.125	1100
LMC1608TP - 24NG-MC	24@ 100MHZ	± 2	38	2500	0.092	1350
LMC1608TP - 27NG-MC	27@ 100MHZ	± 2	36	2300	0.145	1050
LMC1608TP - 28NG-MC	28@ 100MHZ	± 2	37	2450	0.150	1000
LMC1608TP - 30NG-MC	30@ 100MHZ	± 2	40	2700	0.145	1050
LMC1608TP - 33NG-MC	33@ 100MHZ	± 2	36	2200	0.180	900
LMC1608TP - 36NG-MC	36@ 100MHZ	± 2	38	2700	0.250	800
LMC1608TP - 39NG-MC	39@ 100MHZ	± 2	38	2200	0.180	900
LMC1608TP - 47NG-MC	47@ 100MHZ	± 2	33	2100	0.200	850
LMC1608TP - 62NG-MC	62@ 100MHZ	± 2	31	1700	0.360	600
LMC1608TP - 82NG-MC	82@ 100MHZ	± 2	28	1500	0.470	550
LMC1608TP - R11G-MC	110@ 100MHZ	± 2	31	1350	0.740	400
LMC1608TP - R12G-MC	120@ 100MHZ	± 2	31	1350	0.790	400
LMC1608TP - R13G-MC	130@ 100MHZ	± 2	30	1250	0.900	400
LMC1608TP - R15G-MC	150@ 100MHZ	± 2	30	1200	1.200	350
LMC1608TP - R16G-MC	160@ 100MHZ	± 2	30	1200	1.200	350
LMC1608TP - R18G-MC	180@ 100MHZ	± 2	26	1100	1.610	380

#### Test Equipments

- Inductance/Q measured : Keysight E4991B Impedance Analyzer 1MHz ~ 3GHz  
+ E4991B Test Head +16197A or equivalent
- SRF Measured : Agilent E5071B 300KHz ~ 8.5GHz ENA Series Network Analyzer  
+ ABCO Test Fixture or equivalent
- RDC Measured : HIOKI 3540mΩ HITESTER or equivalent
- IDC For 15°C rise : Agilent 6692A 0-60V/0-110A SYSTEM DC POWER SUPPLY  
+YOKOGAWA DR130 HYBRID RECORDER or equivalent U89