

LPH6020/6020-R SERIES

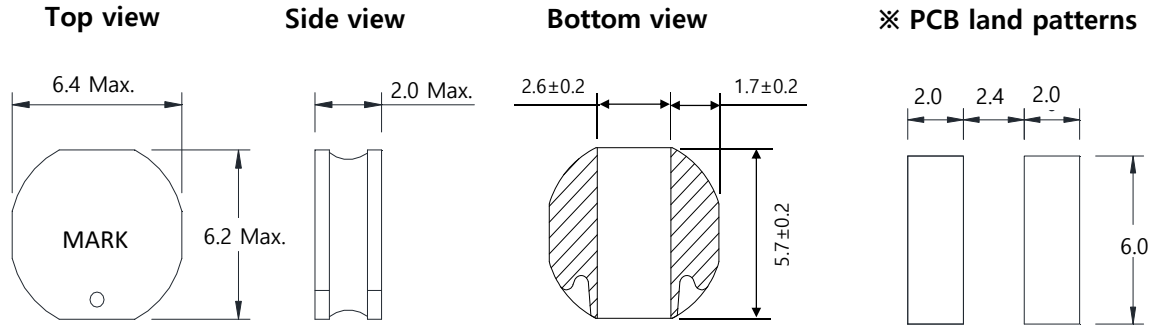


<http://www.abco.co.kr>

LPH6020 /6020-R

■ SHAPE & DIMENSIONS / RECOMMENDED SOLDER LAND PATTERN

Unit:mm



■ ELECTRICAL CHARACTERISTICS

Ordering code	Inductance [μH]	Tolerance (%)	Freq. (kHz)	Rdc ±20% (Ω)	Idc1 Max. (A)	Idc2 Typ. (A)
LPH6020T - 1R0N	1.0	± 30	100	0.020	6.50	6.00
LPH6020T - 2R2N	2.2	± 30		0.027	5.20	5.00
LPH6020T - 3R3N	3.3	± 30		0.043	4.00	3.90
LPH6020T - 4R7M-R	4.7	± 20		0.058	3.40	3.50
LPH6020T - 6R8M-R	6.8	± 20		0.085	2.90	2.70
LPH6020T - 100M-R	10.0	± 20		0.125	2.20	2.50
LPH6020T - 150M	15.0	± 20		0.168	1.70	1.70
LPH6020T - 220M	22.0	± 20		0.265	1.50	1.20

▼ Test Equipments

- Inductance measured : Agilent E4980A Precision LCR Meter or equivalent(100kHz, 0.5V)
- Rdc : HIOKI 3540 mΩ HiTESTER or equivalent
- Idc1(The saturation current) : $\Delta L \leq 30\%$ reduction from initial L value
Agilent 4284A LCR Meter + Agilent 42841A Bias Current Source
- Idc2(The temperature rise): $\Delta T = 40^\circ\text{C}$ typical at rated DC current
Yokogawa DR130 Hybrid Recorder + Agilent 6692A DC Power Supply
- ※ Rated DC current(Idc) : The value of Idc1 or Idc2 , whichever is smaller

▼ Operating Temperature Range

- 40 ~ +125°C (Including self-generated heat)