

ABCO LEAD TYPE POWER INDUCTOR

LPL0713-C Series

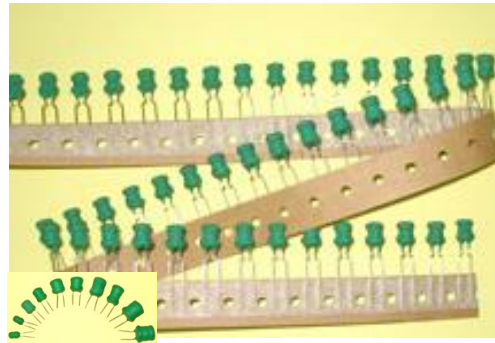
Bulk



Tube



Taping



Sales Dept.

TEL : 82-31-730-5082 FAX : 82-31-730-5082

R&D Dept.

TEL : 82-31-730-5052 FAX : 82-31-730-5034



31,Dunchon-daero 388 beon-gil,Jungwon-gu, Seongnam-si,Gyeonggi-do,Korea.

ABCO ELECTRONICS CO., LTD.

Leaded power inductor



<http://www.abco.co.kr>

Leaded type

▼ OPERATION TEMP

LPL0713-C Series : -40°C ~ +105°C (Including self-generated heat)

▼ PRODUCT IDENTIFICATION

<u>LPL</u>	<u>0713</u>	<u>B</u>	<u>B</u>	-	<u>100</u>	<u>M</u>	-	<u>C</u>
①	②	③	④		⑤	⑥		⑦

① Product name (Leaded power inductor)

② Dimensions (Diameter × Height)

0713 : 7.0mm × 13.5mm¹⁾

1) See Dimensions page for height

③ Packing style

B: Straight Bulk type

S : Straight Taping type

T: M-forming Taping type

④ Coating style

Blank : Moulding type

B : Tube type

⑤ Inductance

1R0 : 1.0 μH

100 : 10 μH

101 : 100 μH

102 : 1000 μH

⑥ Tolerance

K : ±10%

M : ±20%

⑦ Applications and Characteristics

C : High current Type

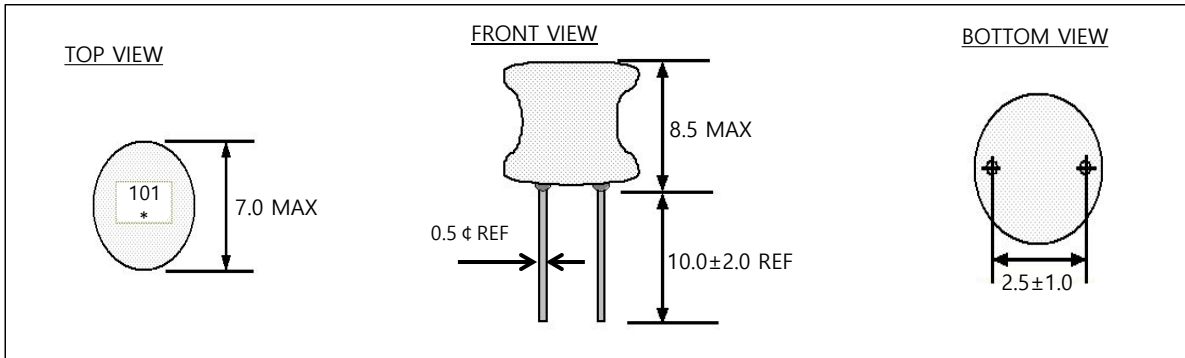
LPL0713-C Series



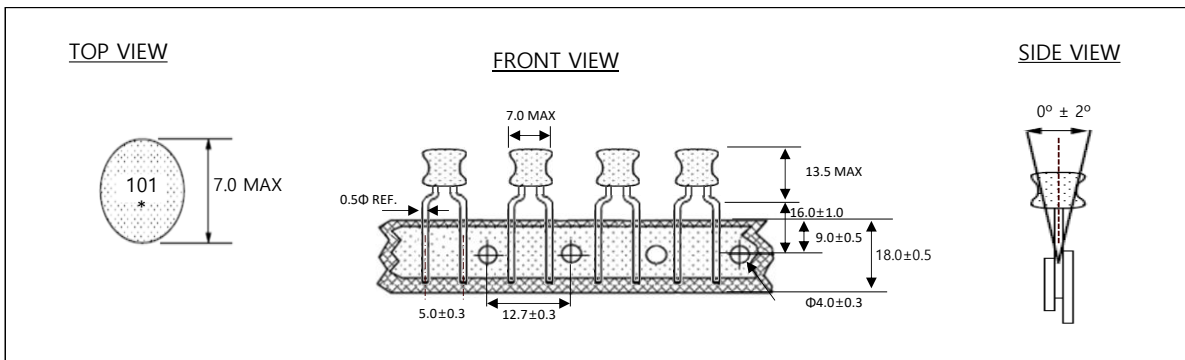
http://www.abco.co.kr

1. DIMENSIONS (unit : mm)

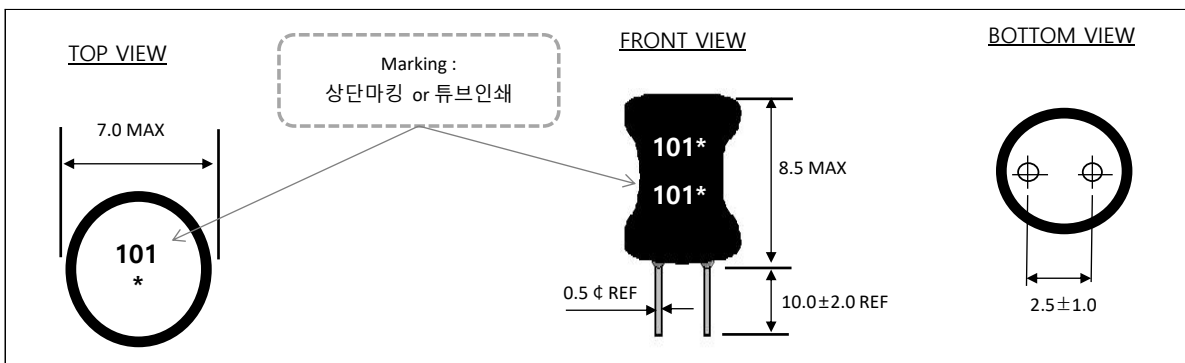
1-1) Bulk Type (LPL0713B-C)



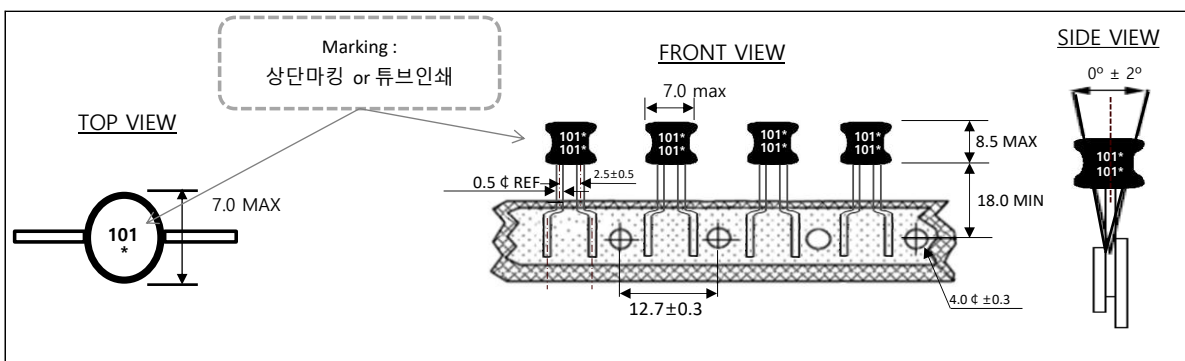
1-2) Taping Type (LPL0713T-C)



1-3) Tube Type (LPL0713BB-C)



1-4) Tube Taping Type (LPL0713SB-C)



LPL0713-C Series



<http://www.abco.co.kr>

2. Electrical Characteristics

Code	Inductance		Freq.	DC Resistance	Rated DC	MAR KING
Code	L (uH)	Tol. (%)	F (KHz)	Rdc(Ω) Max.	current(A) Max.	
LPL0713□□-100K-C	10	±10	1.0	0.08	2.63	100 *
LPL0713□□-470K-C	47			0.33	0.88	470 *
LPL0713□□-820K-C	82			0.56	0.83	820 *
LPL0713□□-101K-C	100			0.64	0.74	101 *
LPL0713□□-121K-C	120			0.81	0.70	121 *
LPL0713□□-151K-C	150			1.16	0.59	151 *
LPL0713□□-181K-C	480			1.29	0.57	181 *
LPL0713□□-221K-C	220			1.50	0.42	221 *
LPL0713□□-331K-C	330			2.02	0.40	331 *
LPL0713□□-471K-C	470			2.93	0.33	471 *

▼ Test Equipments

. L : HIOKI 3511-50 Precision LCR Meter

. Rdc : HIOKI 3541 m Ω HiTESTER

. Idc : Agilent 4284A Precision LCR meter + 42841A Bias current source or equivalent

▼ Test Condition

. Idc(The saturation current) : $\Delta L \leq 20\%$ reduction from initial $L \pm 20\%$ value

$\Delta L \leq 10\%$ reduction from initial $L \pm 10\%$ value

※ Rated DC current : Idc

▼ Operating Temperature Range

-40 ~ +105°C (Including self-generated heat)