

ABCO LEAD TYPE POWER INDUCTOR

LPL0813-C Series

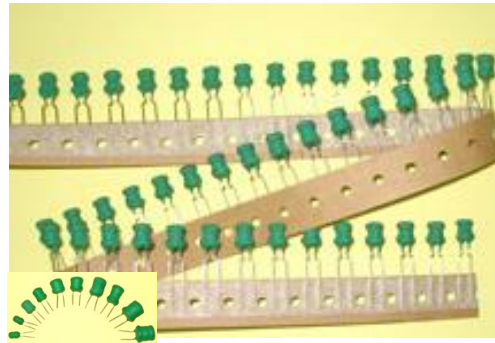
Bulk



Tube



Taping



Sales Dept.

TEL : 82-31-730-5082 FAX : 82-31-730-5082

R&D Dept.

TEL : 82-31-730-5052 FAX : 82-31-730-5034



31,Dunchon-daero 388 beon-gil,Jungwon-gu, Seongnam-si,Gyeonggi-do,Korea.

ABCO ELECTRONICS CO., LTD.

Leaded power inductor



<http://www.abco.co.kr>

Leaded type

▼ OPERATION TEMP

LPL0813-C Series : -40°C ~ +105°C (Including self-generated heat)

▼ PRODUCT IDENTIFICATION

<u>LPL</u>	<u>0813</u>	<u>B</u>	<u>B</u>	-	<u>100</u>	<u>M</u>	-	<u>C</u>
①	②	③	④		⑤	⑥		⑦

① Product name (Leaded power inductor)

② Dimensions (Diameter × Height)

0813 : 8.5mm × 15.0mm¹⁾

1) See Dimensions page for height

③ Packing style

B: Straight Bulk type

S : Straight Taping type

T: M-forming Taping type

④ Coating style

Blank : Moulding type

B : Tube type

⑤ Inductance

1R0 : 1.0 μH

100 : 10 μH

101 : 100 μH

102 : 1000 μH

⑥ Tolerance

K : ±10%

M : ±20%

⑦ Applications and Characteristics

C : High current Type

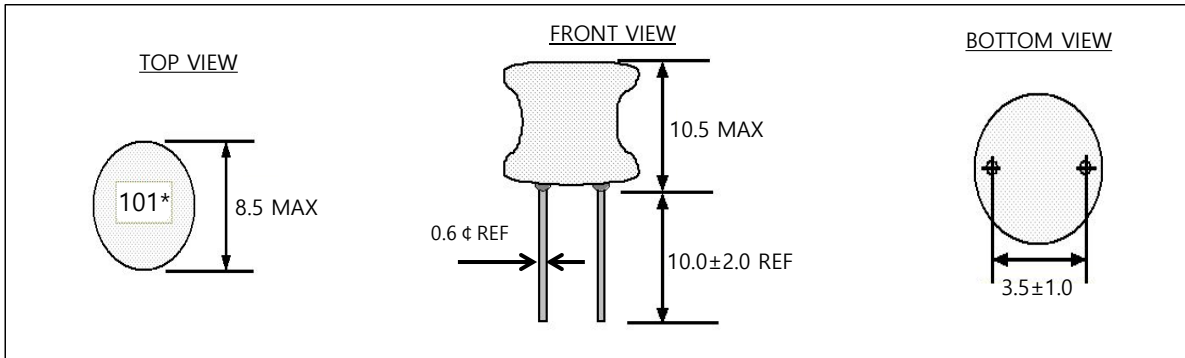
LPL0813-C Series



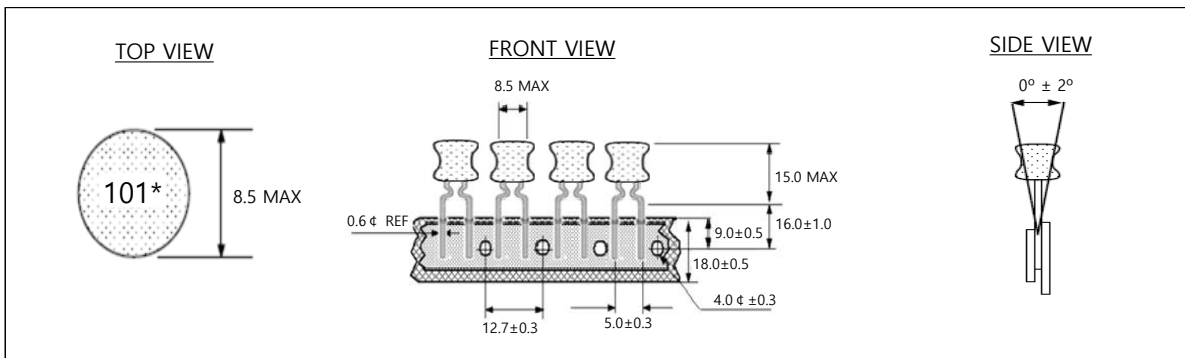
<http://www.abco.co.kr>

1. DIMENSIONS (unit : mm)

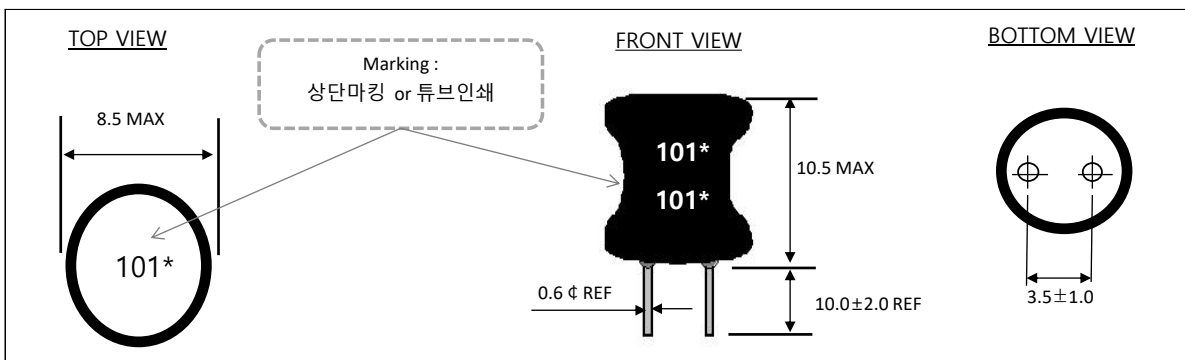
1-1) Bulk Type (LPL0813B-C)



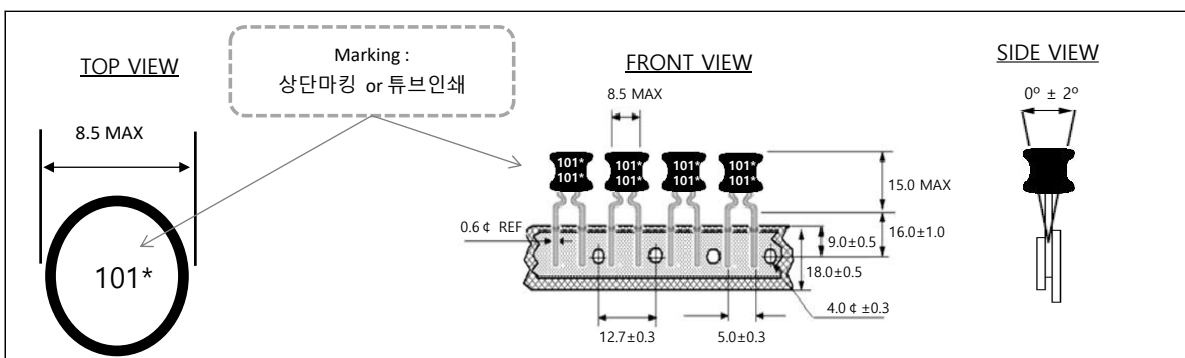
1-2) Taping Type (LPL0813T-C)



1-3) Tube Type (LPL0813BB-C)



1-4) Tube Taping Type (LPL0813TB-C)



LPL0813-C Series



<http://www.abco.co.kr>

2. Electrical Characteristics

Code	Inductance		Freq.	DC Resistance	Rated DC	MAR KING
Code	L (uH)	Tol. (%)	F (KHz)	Rdc(Ω) Max.	current(A) Max.	
LPL0813□□-1R0M-C	1.0	±20	1.0	0.016	6.20	1R0*
LPL0813□□-2R2M-C	2.2			0.020	6.00	2R2*
LPL0813□□-3R3M-C	3.3			0.022	5.80	3R3*
LPL0813□□-4R7M-C	4.7			0.035	4.90	4R7*
LPL0813□□-6R8M-C	6.8			0.038	4.00	6R8*
LPL0813□□-100K-C	10	±10		0.058	3.00	100*
LPL0813□□-120K-C	12			0.060	2.30	120*
LPL0813□□-150K-C	15			0.069	2.20	150*
LPL0813□□-180K-C	18			0.071	2.00	180*
LPL0813□□-220K-C	22			0.075	1.90	220*
LPL0813□□-270K-C	27			0.099	1.70	270*
LPL0813□□-330K-C	33			0.13	1.40	330*
LPL0813□□-390K-C	39			0.14	1.35	390*
LPL0813□□-470K-C	47			0.19	1.30	470*
LPL0813□□-560K-C	56			0.21	1.20	560*
LPL0813□□-680K-C	68			0.24	1.10	680*
LPL0813□□-820K-C	82			0.28	1.00	820*
LPL0813□□-101K-C	100			0.29	0.90	101*
LPL0813□□-151K-C	150			0.48	0.80	151*
LPL0813□□-181K-C	180			0.56	0.78	181*
LPL0813□□-221K-C	220	0.75	0.60	221*		
LPL0813□□-271K-C	270	0.84	0.58	271*		
LPL0813□□-301K-C	300	0.99	0.54	301*		
LPL0813□□-331K-C	330	1.00	0.50	331*		
LPL0813□□-471K-C	470	1.40	0.42	471*		
LPL0813□□-561K-C	560	1.86	0.38	561*		
LPL0813□□-681K-C	680	1.95	0.32	681*		
LPL0813□□-821K-C	820	2.20	0.30	821*		
LPL0813□□-102K-C	1000	3.27	0.28	102*		

LPL0813-C Series



<http://www.abco.co.kr>

2. Electrical Characteristics

Code	Inductance		Freq.	DC Resistance	Rated DC	MAR KING
Code	L (uH)	Tol. (%)	F (KHz)	Rdc(Ω) Max.	current(A) Max.	
LPL0813□□-122K-C	1200	±10	1.0	4.48	0.27	122*
LPL0813□□-152K-C	1500			5.00	0.26	152*
LPL0813□□-222K-C	2200			7.43	0.20	222*
LPL0813□□-332K-C	3300			11.10	0.17	332*
LPL0813□□-472K-C	4700			16.19	0.13	472*
LPL0813□□-682K-C	6800			25.46	0.11	682*
LPL0813□□-103K-C	10000			32.99	0.085	103*
LPL0813□□-153K-C	15000			52.50	0.060	153*

▼ Test Equipments

. L : HIOKI 3511-50 Precision LCR Meter

. Rdc : HIOKI 3541 m Ω HiTESTER

. Idc : Agilent 4284A Precision LCR meter + 42841A Bias current source or equivalent

▼ Test Condition

. Idc(The saturation current) : $\Delta L \leq 20\%$ reduction from initial $L \pm 20\%$ value

$\Delta L \leq 10\%$ reduction from initial $L \pm 10\%$ value

※ Rated DC current : Idc

▼ Operating Temperature Range

-40 ~ +105°C (Including self-generated heat)