

ABCO LEAD TYPE POWER INDUCTOR

LPL0813 Series

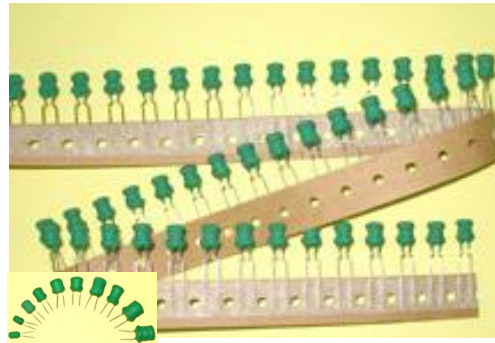
Bulk



Tube



Taping



Sales Dept.

TEL : 82-31-730-5082 FAX : 82-31-730-5082

R&D Dept.

TEL : 82-31-730-5052 FAX : 82-31-730-5034



31,Dunchon-daero 388 beon-gil,Jungwon-gu, Seongnam-si,Gyeonggi-do,Korea.

ABCO ELECTRONICS CO., LTD.

Leaded power inductor



<http://www.abco.co.kr>

Leaded type

▼ OPERATION TEMP

LPL0813 Series : -40°C ~ +105°C (Including self-generated heat)

▼ PRODUCT IDENTIFICATION

<u>LPL</u>	<u>0813</u>	<u>B</u>	<u>B</u>	-	<u>100</u>	<u>M</u>
①	②	③	④		⑤	⑥

① Product name (Leaded power inductor)

② Dimensions (Diameter × Height)

0813 : 8.5mm × 15.0mm¹⁾

1) See Dimensions page for height

③ Packing style

B: Straight Bulk type

S : Straight Taping type

T: M-forming Taping type

④ Coating style

Blank : Moulding type

B : Tube type

⑤ Inductance

1R0 : 1.0 μH

100 : 10 μH

101 : 100 μH

102 : 1000 μH

⑥ Tolerance

K : ±10%

M : ±20%

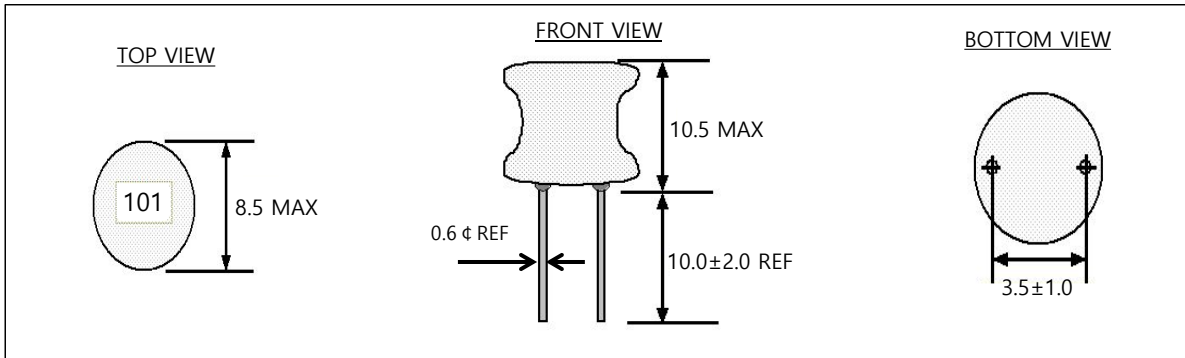
LPL0813 Series



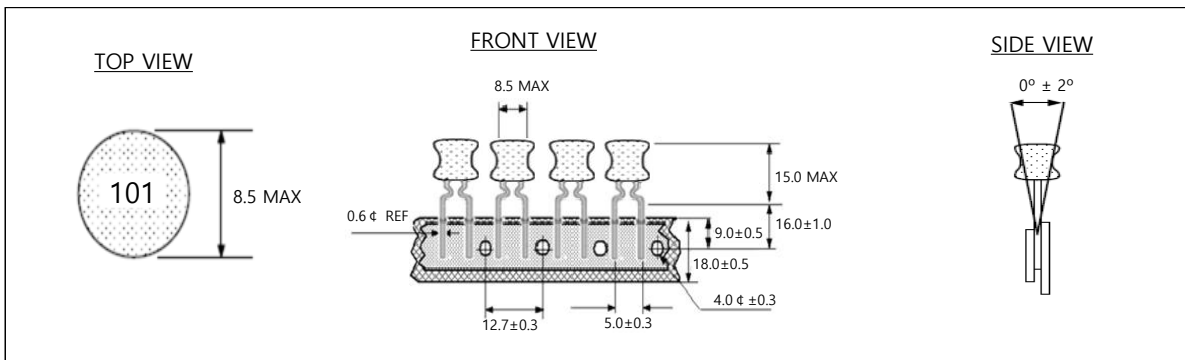
<http://www.abco.co.kr>

1. DIMENSIONS (unit : mm)

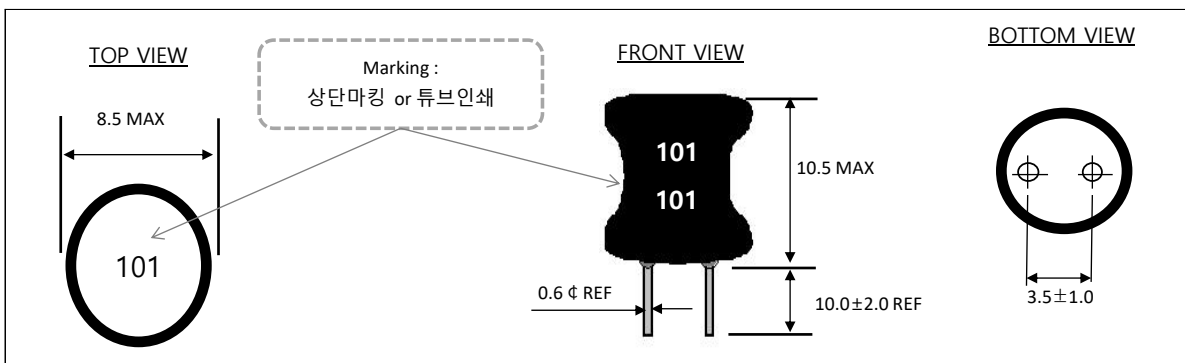
1-1) Bulk Type (LPL0813B)



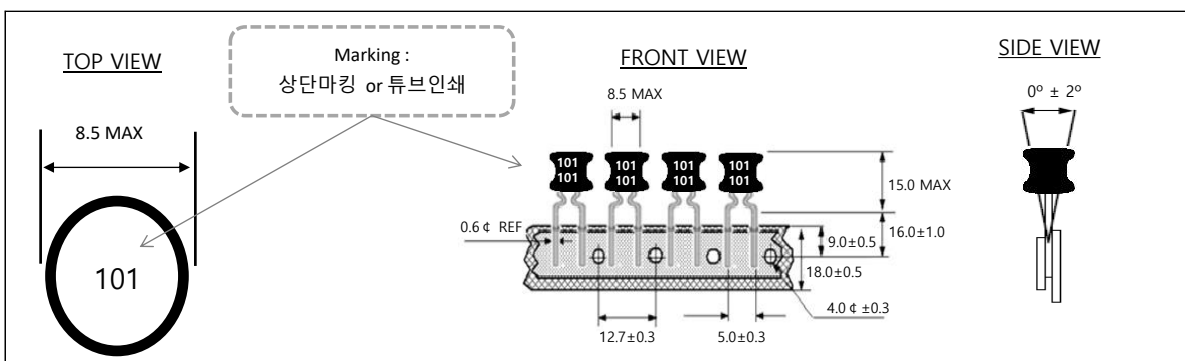
1-2) Taping Type (LPL0813T)



1-3) Tube Type (LPL0813BB)



1-4) Tube Taping Type (LPL0813TB)



LPL0813 Series



<http://www.abco.co.kr>

2. Electrical Characteristics

Code	Inductance		Freq.	DC Resistance	Rated DC	MAR KING
Code	L (uH)	Tol. (%)	F (KHz)	Rdc(Ω) Max.	current(A) Max.	
LPL0813□□-1R0M	1.0	±20	1.0	0.011	5.20	1R0
LPL0813□□-1R5M	1.5			0.014	4.80	1R5
LPL0813□□-1R8M	1.8			0.016	4.60	1R8
LPL0813□□-2R2M	2.2			0.017	3.70	2R2
LPL0813□□-3R3M	3.3			0.021	3.30	3R3
LPL0813□□-4R7M	4.7			0.024	3.00	4R7
LPL0813□□-5R6M	5.6			0.026	2.90	5R6
LPL0813□□-6R8M	6.8			0.028	2.50	6R8
LPL0813□□-8R2M	8.2			0.029	2.15	8R2
LPL0813□□-100K	10	±10	1.0	0.046	1.70	100
LPL0813□□-150K	15			0.064	1.35	150
LPL0813□□-220K	22			0.074	1.00	220
LPL0813□□-270K	27			0.11	0.95	270
LPL0813□□-330K	33			0.13	0.82	330
LPL0813□□-470K	47			0.18	0.80	470
LPL0813□□-560K	56			0.20	0.78	560
LPL0813□□-680K	68			0.25	0.70	680
LPL0813□□-101K	100			0.33	0.50	101
LPL0813□□-121K	120			0.39	0.49	121
LPL0813□□-151K	150			0.49	0.47	151
LPL0813□□-181K	180			0.55	0.39	181
LPL0813□□-221K	220			0.76	0.36	221
LPL0813□□-271K	270			1.05	0.34	271
LPL0813□□-331K	330			1.19	0.30	331
LPL0813□□-391K	390			1.29	0.26	391
LPL0813□□-471K	470			1.43	0.25	471
LPL0813□□-561K	560	1.77	0.24	561		
LPL0813□□-681K	680	2.00	0.21	681		
LPL0813□□-821K	820	2.40	0.180	821		

LPL0813 Series



<http://www.abco.co.kr>

2. Electrical Characteristics

Code	Inductance		Freq.	DC Resistance	Rated DC	MAR KING
Code	L (uH)	Tol. (%)	F (KHz)	Rdc(Ω) Max.	current(A) Max.	
LPL0813□□-102K	1000			2.82	0.17	102
LPL0813□□-122K	1200			4.75	0.16	122
LPL0813□□-152K	1500			5.61	0.14	152
LPL0813□□-182K	1800			6.08	0.12	182
LPL0813□□-222K	2200			7.10	0.11	222
LPL0813□□-272K	2700			10.73	0.10	272
LPL0813□□-332K	3300			12.22	0.08	332
LPL0813□□-472K	4700			14.54	0.055	472
LPL0813□□-562K	5600	±10	1.0	16.49	0.054	562
LPL0813□□-682K	6800			24.52	0.052	682
LPL0813□□-822K	8200			28.00	0.049	822
LPL0813□□-103K	10000			32.57	0.045	103
LPL0813□□-123K	12000			36.20	0.040	123
LPL0813□□-153K	15000			64.08	0.030	153
LPL0813□□-223K	22000			80.66	0.020	223
LPL0813□□-333K	33000			109.00	0.011	333
LPL0813□□-683K	68000			232.44	0.008	683

▼ Test Equipments

. L : HIOKI 3511-50 Precision LCR Meter

. Rdc : HIOKI 3541 m Ω HiTESTER

. Idc : Agilent 4284A Precision LCR meter + 42841A Bias current source or equivalent

▼ Test Condition

. Idc(The saturation current) : $\Delta L \leq 20\%$ reduction from initial $L \pm 20\%$ value

$\Delta L \leq 10\%$ reduction from initial $L \pm 10\%$ value

※ Rated DC current : Idc

▼ Operating Temperature Range

-40 ~ +105°C (Including self-generated heat)