

ABCO LEAD TYPE POWER INDUCTOR

LPL0919-C Series

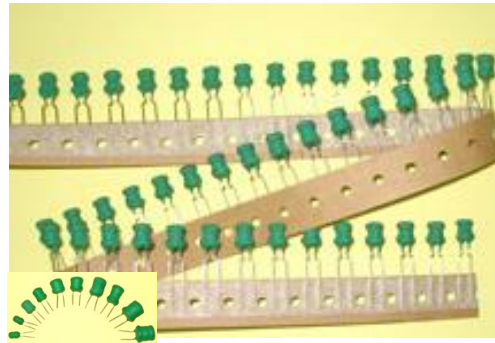
Bulk



Tube



Taping



Sales Dept.

TEL : 82-31-730-5082 FAX : 82-31-730-5082

R&D Dept.

TEL : 82-31-730-5052 FAX : 82-31-730-5034



31,Dunchon-daero 388 beon-gil,Jungwon-gu, Seongnam-si,Gyeonggi-do,Korea.

ABCO ELECTRONICS CO., LTD.

Leaded power inductor



<http://www.abco.co.kr>

Leaded type

▼ OPERATION TEMP

LPL0919-C Series : -40°C ~ +105°C (Including self-generated heat)

▼ PRODUCT IDENTIFICATION

<u>LPL</u>	<u>0919</u>	<u>B</u>	<u>B</u>	-	<u>100</u>	<u>M</u>	-	<u>C</u>
①	②	③	④		⑤	⑥		⑦

① Product name (Leaded power inductor)

② Dimensions (Diameter × Height)

0919 : 10.0mm × 19.0mm¹⁾

1) See Dimensions page for height

③ Packing style

B: Straight Bulk type

S : Straight Taping type

T: M-forming Taping type

④ Coating style

Blank : Moulding type

B : Tube type

⑤ Inductance

1R0 : 1.0 μH

100 : 10 μH

101 : 100 μH

102 : 1000 μH

⑥ Tolerance

K : ±10%

M : ±20%

⑦ Applications and Characteristics

C : High current Type

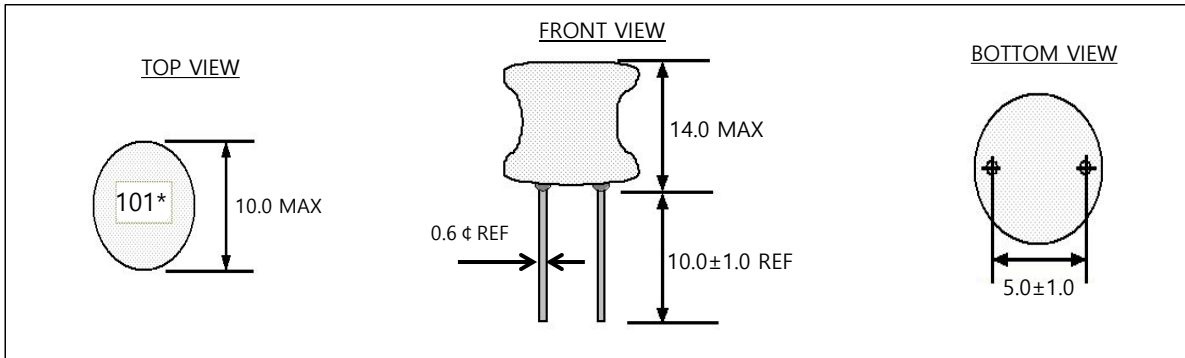
LPL0919-C Series



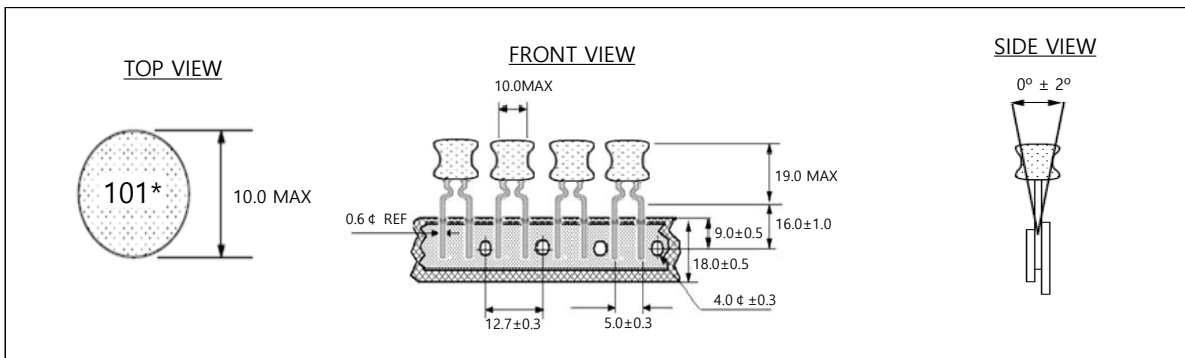
<http://www.abco.co.kr>

1. DIMENSIONS (unit : mm)

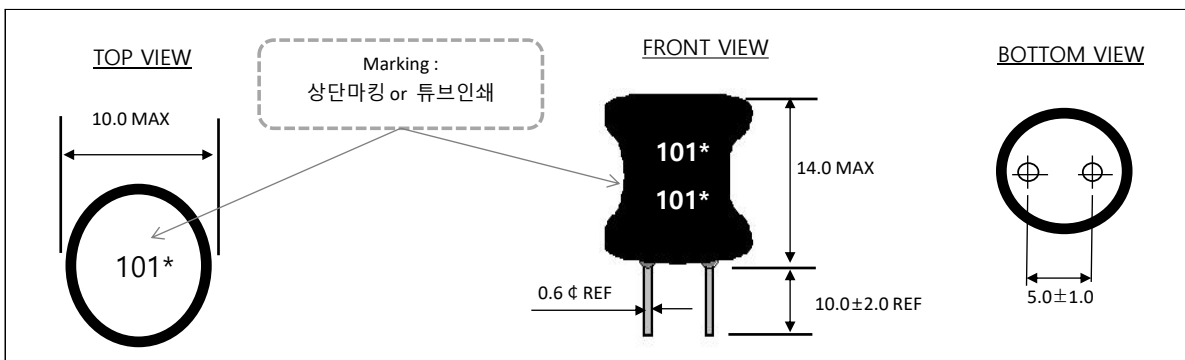
1-1) Bulk Type (LPL0919B-C)



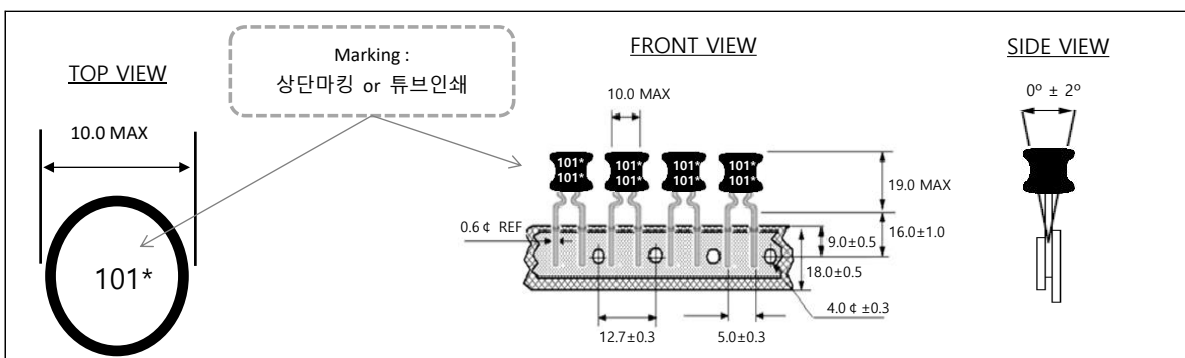
1-2) Taping Type (LPL0919T-C)



1-3) Tube Type (LPL0919BB-C)



1-4) Tube Taping Type (LPL0919TB-C)



LPL0919-C Series



<http://www.abco.co.kr>

2. Electrical Characteristics

Code	Inductance		Freq.	DC Resistance	Rated DC	MAR KING
Code	L (uH)	Tol. (%)	F (KHz)	Rdc(Ω) Max.	current(A) Max.	
LPL0919□□-2R2M-C	2.2	±20	1.0	0.020	10.500	2R2*
LPL0919□□-3R3M-C	3.3			0.022	9.800	3R3*
LPL0919□□-4R7M-C	4.7			0.024	8.700	4R7*
LPL0919□□-5R6M-C	5.6			0.025	7.000	5R6*
LPL0919□□-100M-C	10			0.032	4.700	100*
LPL0919□□-150K-C	15	±10		0.034	3.500	150*
LPL0919□□-180K-C	18			0.038	3.400	180*
LPL0919□□-220K-C	22			0.056	3.300	220*
LPL0919□□-330K-C	33			0.068	2.400	330*
LPL0919□□-470K-C	47			0.092	2.200	470*
LPL0919□□-560K-C	56			0.110	2.000	560*
LPL0919□□-680K-C	68			0.130	1.800	680*
LPL0919□□-820K-C	82			0.140	1.600	820*
LPL0919□□-101K-C	100			0.190	1.200	101*
LPL0919□□-121K-C	120			0.230	1.050	121*
LPL0919□□-151K-C	150			0.260	0.980	151*
LPL0919□□-221K-C	220			0.380	0.900	221*
LPL0919□□-331K-C	330			0.540	0.850	331*
LPL0919□□-471K-C	470			0.750	0.730	471*
LPL0919□□-681K-C	680			1.100	0.600	681*
LPL0919□□-821K-C	820	1.440	0.400	821*		
LPL0919□□-102K-C	1000	1.580	0.390	102*		
LPL0919□□-122K-C	1200	1.800	0.380	122*		
LPL0919□□-152K-C	1500	2.530	0.370	152*		
LPL0919□□-222K-C	2200	3.810	0.300	222*		
LPL0919□□-272K-C	2700	4.400	0.260	272*		
LPL0919□□-332K-C	3300	5.690	0.240	332*		
LPL0919□□-472K-C	4700	8.370	0.200	472*		
LPL0919□□-502K-C	5000	8.500	0.180	502*		

LPL0919-C Series



<http://www.abco.co.kr>

2. Electrical Characteristics

Code	Inductance		Freq.	DC Resistance	Rated DC	MAR KING
Code	L (uH)	Tol. (%)	F (KHz)	Rdc(Ω) Max.	current(A) Max.	
LPL0919□□-562K-C	5600			9.950	0.160	562*
LPL0919□□-103KB-C	10000			17.900	0.100	103*
LPL0919□□-223K-C	22000	±10	1.0	38.040	0.085	223*
LPL0919□□-333K-C	33000			55.200	0.044	333*
LPL0919□□-104K-C	100000			170.00	0.040	104*

▼ Test Equipments

. L : HIOKI 3511-50 Precision LCR Meter

. Rdc : HIOKI 3541 m Ω HiTESTER

. Idc : Agilent 4284A Precision LCR meter + 42841A Bias current source or equivalent

▼ Test Condition

. Idc(The saturation current) : $\Delta L \leq 20\%$ reduction from initial $L \pm 20\%$ value

$\Delta L \leq 10\%$ reduction from initial $L \pm 10\%$ value

※ Rated DC current : Idc

▼ Operating Temperature Range

-40 ~ +105°C (Including self-generated heat)