

ABCO LEAD TYPE POWER INDUCTOR

LPL0919 Series

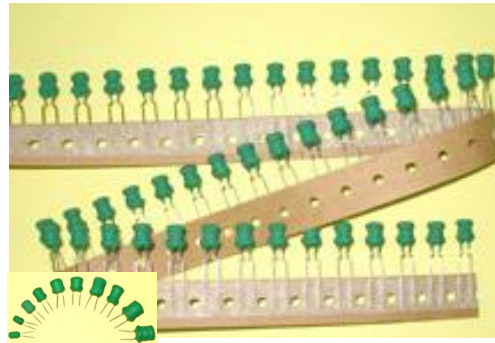
Bulk



Tube



Taping



Sales Dept.

TEL : 82-31-730-5082 FAX : 82-31-730-5082

R&D Dept.

TEL : 82-31-730-5052 FAX : 82-31-730-5034



31,Dunchon-daero 388 beon-gil,Jungwon-gu, Seongnam-si,Gyeonggi-do,Korea.

ABCO ELECTRONICS CO., LTD.

Leaded power inductor



<http://www.abco.co.kr>

Leaded type

▼ OPERATION TEMP

LPL0919 Series : -40°C ~ +105°C (Including self-generated heat)

▼ PRODUCT IDENTIFICATION

<u>LPL</u>	<u>0919</u>	<u>B</u>	<u>B</u>	-	<u>100</u>	<u>M</u>
①	②	③	④		⑤	⑥

① Product name (Leaded power inductor)

② Dimensions (Diameter × Height)

0919 : 10.0mm × 19.0mm¹⁾

1) See Dimensions page for height

③ Packing style

B: Straight Bulk type

S : Straight Taping type

T: M-forming Taping type

④ Coating style

Blank : Moulding type

B : Tube type

⑤ Inductance

1R0 : 1.0 μH

100 : 10 μH

101 : 100 μH

102 : 1000 μH

⑥ Tolerance

K : ±10%

M : ±20%

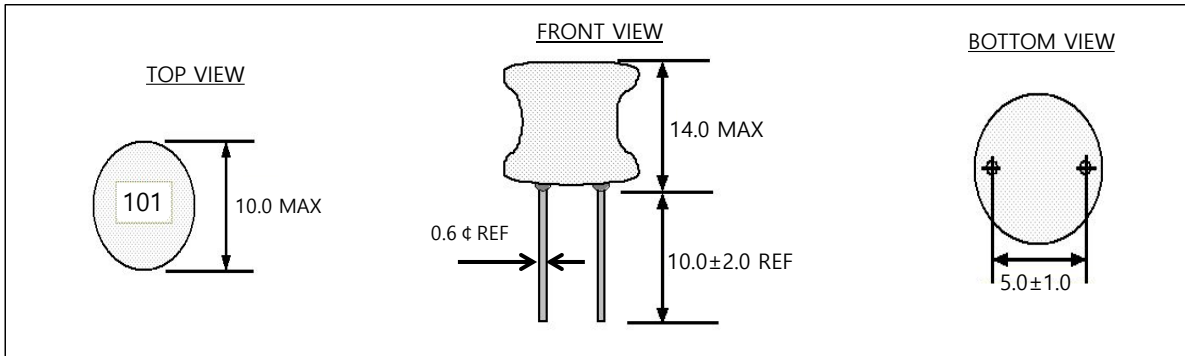
LPL0919 Series



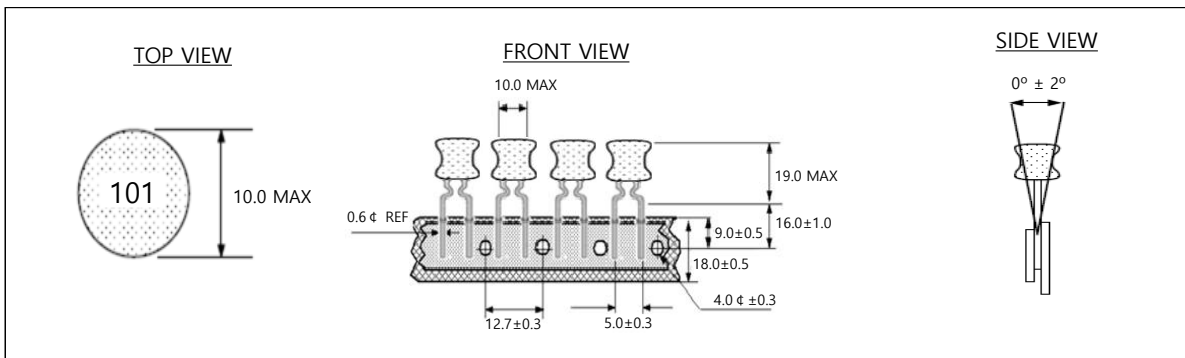
<http://www.abco.co.kr>

1. DIMENSIONS (unit : mm)

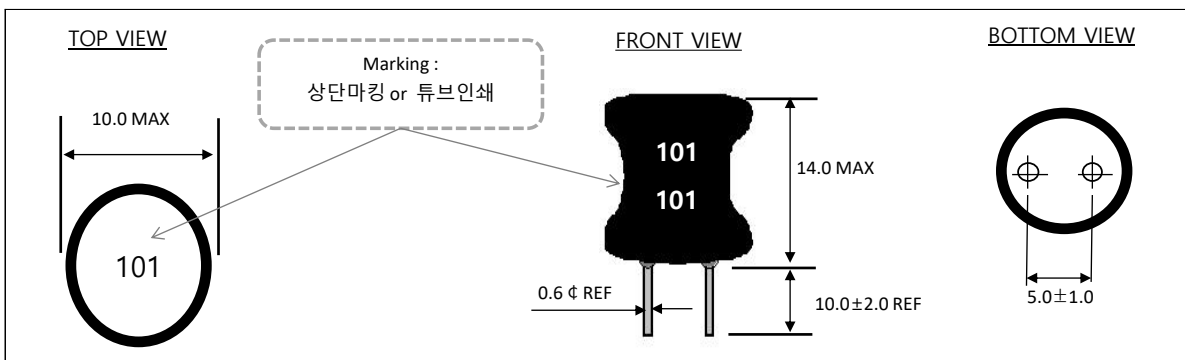
1-1) Bulk Type (LPL0919B)



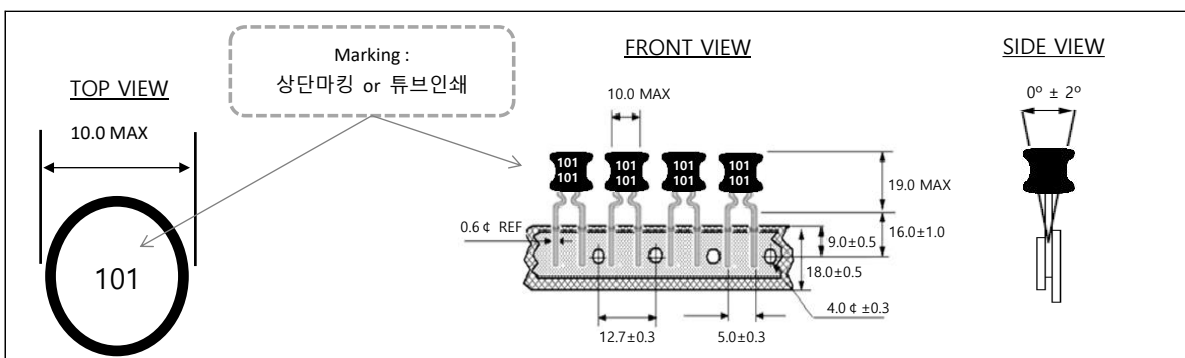
1-2) Taping Type (LPL0919T)



1-3) Tube Type (LPL0919BB)



1-4) Tube Taping Type (LPL0919TB)



LPL0919 Series



<http://www.abco.co.kr>

2. Electrical Characteristics

Code	Inductance		Freq.	DC Resistance	Rated DC	MAR KING
Code	L (uH)	Tol. (%)	F (KHz)	Rdc(Ω) Max.	current(A) Max.	
LPL0919□□-2R2M	2.2	±20	1.0	0.015	6.70	2R2
LPL0919□□-3R3M	3.3			0.017	5.10	3R3
LPL0919□□-4R7M	4.7			0.019	4.20	4R7
LPL0919□□-5R6M	5.6			0.020	3.30	5R6
LPL0919□□-6R8M	6.8			0.024	2.60	6R8
LPL0919□□-8R0M	8			0.027	2.40	8R0
LPL0919□□-100M	10			0.027	2.30	100
LPL0919□□-150K	15	±10	1.0	0.032	1.70	150
LPL0919□□-180K	18			0.034	1.50	180
LPL0919□□-220K	22			0.050	1.40	220
LPL0919□□-330K	33			0.060	1.10	330
LPL0919□□-470K	47			0.084	0.96	470
LPL0919□□-560K	56			0.090	0.94	560
LPL0919□□-680K	68			0.103	0.84	680
LPL0919□□-101K	100			0.154	0.78	101
LPL0919□□-121K	120			0.180	0.72	121
LPL0919□□-151K	150			0.220	0.54	151
LPL0919□□-181K	180			0.260	0.53	181
LPL0919□□-221K	220			0.320	0.47	221
LPL0919□□-331K	330			0.490	0.37	331
LPL0919□□-391K	390			0.570	0.33	391
LPL0919□□-471K	470			0.620	0.30	471
LPL0919□□-561K	560			0.780	0.28	561
LPL0919□□-681K	680			0.990	0.27	681
LPL0919□□-821K	820			1.130	0.24	821
LPL0919□□-102K	1000			1.300	0.23	102
LPL0919□□-122K	1200			1.670	0.19	122
LPL0919□□-152K	1500	2.470	0.17	152		
LPL0919□□-182K	1800	2.650	0.16	182		

LPL0919 Series



<http://www.abco.co.kr>

2. Electrical Characteristics

Code	Inductance		Freq.	DC Resistance	Rated DC	MAR KING
Code	L (uH)	Tol. (%)	F (KHz)	Rdc(Ω) Max.	current(A) Max.	
LPL0919□□-222K	2200			3.00	0.120	222
LPL0919□□-272K	2700			4.11	0.115	272
LPL0919□□-332K	3300			4.33	0.105	332
LPL0919□□-472K	4700			6.73	0.094	472
LPL0919□□-562K	5600			9.10	0.075	562
LPL0919□□-682K	6800			11.02	0.070	682
LPL0919□□-822K	8200			11.62	0.061	822
LPL0919□□-103K	10000	± 10	1.0	16.28	0.060	103
LPL0919□□-123K	12000			19.16	0.050	123
LPL0919□□-153K	15000			27.98	0.040	153
LPL0919□□-333K	33000			51.00	0.027	333
LPL0919□□-473K	47000			79.78	0.025	473
LPL0919□□-563K	56000			92.10	0.011	563
LPL0919□□-683K	68000			101.00	0.010	683
LPL0919□□-104K	100000			167.00	0.004	104

▼ Test Equipments

. L : HIOKI 3511-50 Precision LCR Meter

. Rdc : HIOKI 3541 m Ω HiTESTER

. Idc : Agilent 4284A Precision LCR meter + 42841A Bias current source or equivalent

▼ Test Condition

. Idc(The saturation current) : $\Delta L \leq 20\%$ reduction from initial $L \pm 20\%$ value

$\Delta L \leq 10\%$ reduction from initial $L \pm 10\%$ value

※ Rated DC current : Idc

▼ Operating Temperature Range

-40 ~ +105°C (Including self-generated heat)