

## ABCO LEAD TYPE POWER INDUCTOR

### LPL1214 Series

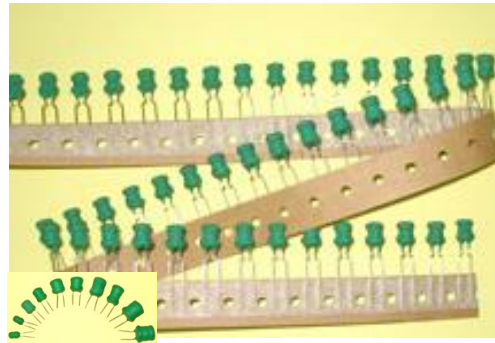
**Bulk**



**Tube**



**Taping**



**Sales Dept.**

TEL : 82-31-730-5082 FAX : 82-31-730-5082

**R&D Dept.**

TEL : 82-31-730-5052 FAX : 82-31-730-5034



31,Dunchon-daero 388 beon-gil,Jungwon-gu, Seongnam-si,Gyeonggi-do,Korea.

**ABCO ELECTRONICS CO., LTD.**

# Leaded power inductor



<http://www.abco.co.kr>

---

## Leaded type

### ▼ OPERATION TEMP

LPL1214 Series : -40°C ~ +105°C (Including self-generated heat)

### ▼ PRODUCT IDENTIFICATION

<u>LPL</u>	<u>1214</u>	<u>B</u>	<u>B</u>	-	<u>100</u>	<u>M</u>
①	②	③	④		⑤	⑥

① Product name (Leaded power inductor)

② Dimensions (Diameter × Height)

1214 : 12.0mm × 14.0mm<sup>1)</sup>

1) See Dimensions page for height

③ Packing style

B: Straight Bulk type

S : Straight Taping type

T: M-forming Taping type

④ Coating style

Blank : Moulding type

B : Tube type

⑤ Inductance

1R0 : 1.0 μH

100 : 10 μH

101 : 100 μH

102 : 1000 μH

⑥ Tolerance

K : ±10%

M : ±20%

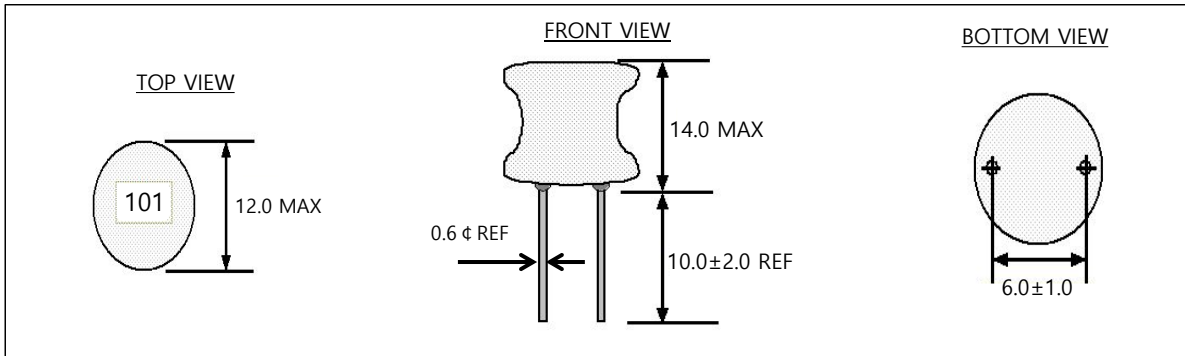
# LPL1214 Series



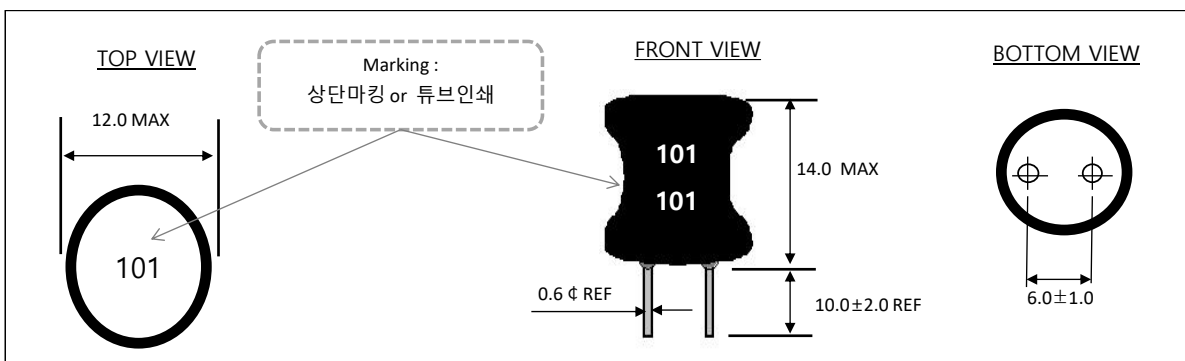
<http://www.abco.co.kr>

## 1. DIMENSIONS (unit : mm)

### 1-1) Bulk Type (LPL1214B)



### 1-2) Tube Type (LPL1214BB)



# LPL1214 Series



<http://www.abco.co.kr>

## 2. Electrical Characteristics

Code	Inductance		Freq.	DC Resistance	Rated DC	MAR KING
Code	L (uH)	Tol. (%)	F (KHz)	Rdc(Ω) Max.	current(A) Max.	
LPL1214□□-3R3M	3.3	±20	1.0	0.012	5.50	3R3
LPL1214□□-100M	10			0.022	3.00	100
LPL1214□□-150K	15	±10		0.021	2.07	150
LPL1214□□-220K	22			0.038	1.50	220
LPL1214□□-330K	33			0.045	1.20	330
LPL1214□□-470K	47			0.069	1.00	470
LPL1214□□-680K	68			0.082	0.84	680
LPL1214□□-101K	100			0.120	0.80	101
LPL1214□□-151K	150			0.150	0.60	151
LPL1214□□-471K	470			0.450	0.37	471
LPL1214□□-681K	680			0.650	0.31	681
LPL1214□□-821K	820			0.750	0.28	821
LPL1214□□-102K	1000			0.990	0.24	102
LPL1214□□-122K	1200			1.220	0.23	122
LPL1214□□-152K	1500			1.582	0.22	152
LPL1214□□-182K	1800			1.670	0.18	182
LPL1214□□-222K	2200			2.050	0.17	222
LPL1214□□-272K	2700			2.560	0.15	272
LPL1214□□-332K	3300			2.950	0.13	332
LPL1214□□-472K	4700			4.770	0.099	472
LPL1214□□-562K	5600	6.120	0.077	562		
LPL1214□□-602K	6000	6.190	0.076	602		
LPL1214□□-682K	6800	7.030	0.072	682		
LPL1214□□-822K	8200	8.320	0.064	822		
LPL1214□□-103K	10000	9.840	0.060	103		
LPL1214□□-123K	12000	11.540	0.052	123		
LPL1214□□-153K	15000	15.530	0.049	153		
LPL1214□□-104K	100000	105.927	0.010	104		

# LPL1214 Series



<http://www.abco.co.kr>

---

## ▼ Test Equipments

. L : HIOKI 3511-50 Precision LCR Meter

. Rdc : HIOKI 3541 mΩ HiTESTER

. Idc : Agilent 4284A Precision LCR meter + 42841A Bias current source or equivalent

## ▼ Test Condition

. Idc(The saturation current) :  $\Delta L \leq 20\%$  reduction from initial  $L \pm 20\%$  value

$\Delta L \leq 10\%$  reduction from initial  $L \pm 10\%$  value

※ Rated DC current : Idc

## ▼ Operating Temperature Range

-40 ~ +105°C (Including self-generated heat)