

ABCO LEAD TYPE POWER INDUCTOR

LPL1215 Series

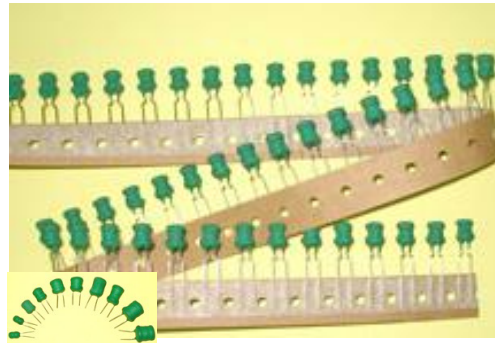
Bulk



Tube



Taping



Sales Dept.

TEL : 82-31-730-5082 FAX : 82-31-730-5082

R&D Dept.

TEL : 82-31-730-5052 FAX : 82-31-730-5034



31,Dunchon-daero 388 beon-gil,Jungwon-gu, Seongnam-si,Gyeonggi-do,Korea.

ABCO ELECTRONICS CO., LTD.

Leaded power inductor



<http://www.abco.co.kr>

Leaded type

▼ OPERATION TEMP

LPL1215 Series : -40°C ~ +105°C (Including self-generated heat)

▼ PRODUCT IDENTIFICATION

<u>LPL</u>	<u>1215</u>	<u>B</u>	<u>B</u>	-	<u>100</u>	<u>M</u>
①	②	③	④		⑤	⑥

① Product name (Leaded power inductor)

② Dimensions (Diameter × Height)

1215 : 12.0mm × 15.0mm¹⁾

1) See Dimensions page for height

③ Packing style

B: Straight Bulk type

S : Straight Taping type

T: M-forming Taping type

④ Coating style

Blank : Moulding type

B : Tube type

⑤ Inductance

1R0 : 1.0 μH

100 : 10 μH

101 : 100 μH

102 : 1000 μH

⑥ Tolerance

K : ±10%

M : ±20%

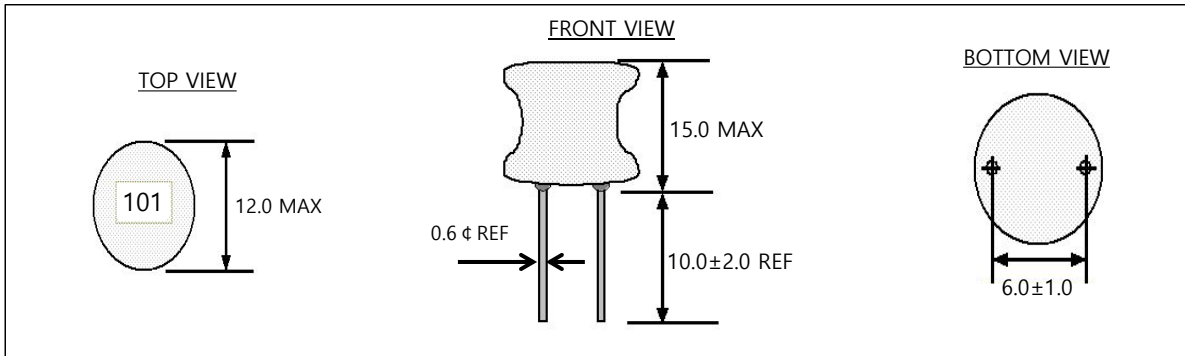
LPL1215 Series



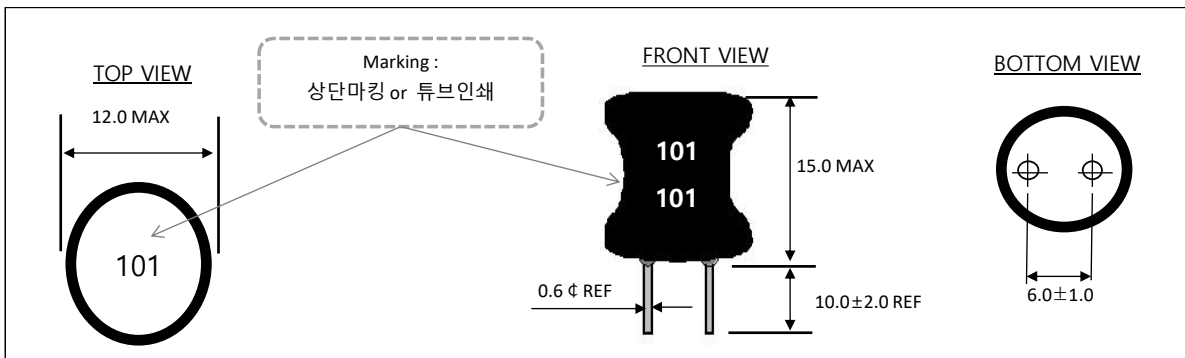
<http://www.abco.co.kr>

1. DIMENSIONS (unit : mm)

1-1) Bulk Type (LPL1215B)



1-2) Tube Type (LPL1215BB)



LPL1215 Series



<http://www.abco.co.kr>

2. Electrical Characteristics

Code	Inductance		Freq.	DC Resistance	Rated DC	MAR KING
Code	L (uH)	Tol. (%)	F (KHz)	Rdc(Ω) Max.	current(A) Max.	
LPL1215□□-4R7M	4.7	±20	1.0	0.019	7.20	4R7
LPL1215□□-6R8M	6.8			0.022	6.60	6R8
LPL1215□□-100M	10			0.026	5.20	100
LPL1215□□-220K	22	±10		0.044	2.20	220
LPL1215□□-330K	33			0.054	2.00	330
LPL1215□□-470K	47			0.074	1.60	470
LPL1215□□-680K	68			0.094	1.30	680
LPL1215□□-101K	100			0.120	1.20	101
LPL1215□□-151K	150			0.210	0.93	151
LPL1215□□-181K	180			0.250	0.82	181
LPL1215□□-221K	220			0.270	0.81	221
LPL1215□□-331K	330			0.420	0.79	331
LPL1215□□-471K	470			0.520	0.65	471
LPL1215□□-561K	560			0.670	0.61	561
LPL1215□□-681K	680			0.750	0.54	681
LPL1215□□-102K	1000			1.080	0.38	102
LPL1215□□-122K	1200			1.370	0.36	122
LPL1215□□-152K	1500			1.790	0.34	152
LPL1215□□-222K	2200			2.630	0.23	222
LPL1215□□-332K	3300			4.270	0.19	332
LPL1215□□-472K	4700			6.200	0.17	472
LPL1215□□-562K	5600			6.860	0.16	562
LPL1215□□-682K	6800			8.800	0.15	682
LPL1215□□-822K	8200			10.810	0.14	822
LPL1215□□-103K	10000	12.550		0.11	103	
LPL1215□□-153K	15000	18.410		0.080	153	
LPL1215□□-223K	22000	29.240		0.070	223	
LPL1215□□-333K	33000	50.910		0.064	333	
LPL1215□□-104K	100000	136.00		0.031	104	

LPL1215 Series



<http://www.abco.co.kr>

▼ Test Equipments

. L : HIOKI 3511-50 Precision LCR Meter

. Rdc : HIOKI 3541 mΩ HiTESTER

. Idc : Agilent 4284A Precision LCR meter + 42841A Bias current source or equivalent

▼ Test Condition

. Idc(The saturation current) : $\Delta L \leq 20\%$ reduction from initial $L \pm 20\%$ value

$\Delta L \leq 10\%$ reduction from initial $L \pm 10\%$ value

※ Rated DC current : Idc

▼ Operating Temperature Range

-40 ~ +105°C (Including self-generated heat)