

ABCO LEAD TYPE POWER INDUCTOR

LPL1415 Series

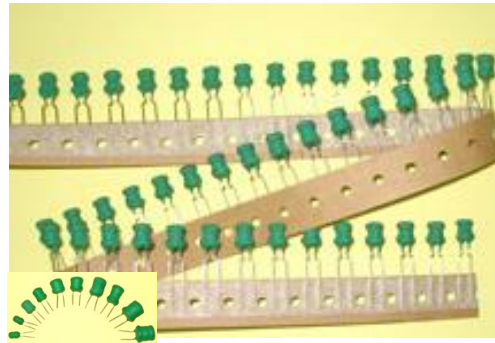
Bulk



Tube



Taping



Sales Dept.

TEL : 82-31-730-5082 FAX : 82-31-730-5082

R&D Dept.

TEL : 82-31-730-5052 FAX : 82-31-730-5034



31,Dunchon-daero 388 beon-gil,Jungwon-gu, Seongnam-si,Gyeonggi-do,Korea.

ABCO ELECTRONICS CO., LTD.

Leaded power inductor



<http://www.abco.co.kr>

Leaded type

▼ OPERATION TEMP

LPL1415 Series : -40°C ~ +105°C (Including self-generated heat)

▼ PRODUCT IDENTIFICATION

<u>LPL</u>	<u>1415</u>	<u>B</u>	<u>B</u>	-	<u>100</u>	<u>M</u>
①	②	③	④		⑤	⑥

① Product name (Leaded power inductor)

② Dimensions (Diameter × Height)

1415 : 14.0mm × 15.0mm¹⁾

1) See Dimensions page for height

③ Packing style

B: Straight Bulk type

S : Straight Taping type

T: M-forming Taping type

④ Coating style

Blank : Moulding type

B : Tube type

⑤ Inductance

1R0 : 1.0 μH

100 : 10 μH

101 : 100 μH

102 : 1000 μH

⑥ Tolerance

K : ±10%

M : ±20%

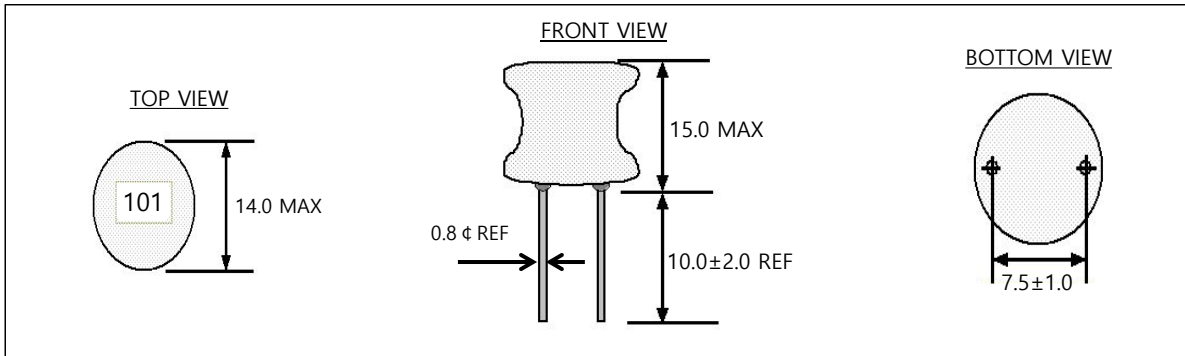
LPL1415 Series



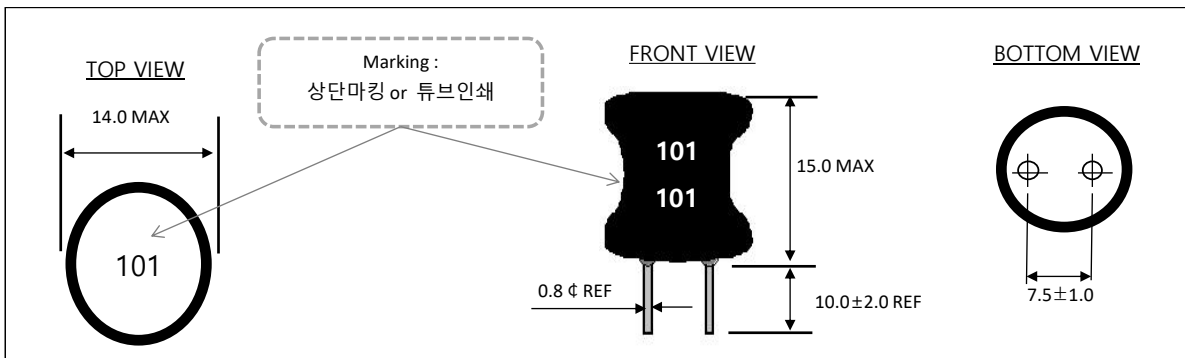
<http://www.abco.co.kr>

1. DIMENSIONS (unit : mm)

1-1) Bulk Type (LPL1415B)



1-2) Tube Type (LPL1415BB)



LPL1415 Series



<http://www.abco.co.kr>

2. Electrical Characteristics

Code	Inductance		Freq.	DC Resistance	Rated DC	MAR KING
Code	L (uH)	Tol. (%)	F (KHz)	Rdc(Ω) Max.	current(A) Max.	
LPL1415□□-4R7M	4.7	±20	1.0	0.014	19.10	4R7
LPL1415□□-100M	10			0.018	10.88	100
LPL1415□□-150K	15	±10		0.024	9.50	150
LPL1415□□-220K	22			0.034	6.31	220
LPL1415□□-270K	27			0.038	5.77	270
LPL1415□□-330K	33			0.044	4.96	330
LPL1415□□-390K	39			0.048	4.45	390
LPL1415□□-470K	47			0.060	4.07	470
LPL1415□□-680K	68			0.080	3.20	680
LPL1415□□-101K	100			0.128	3.00	101
LPL1415□□-121K	120			0.140	2.40	121
LPL1415□□-151K	150			0.162	2.25	151
LPL1415□□-181K	180			0.210	2.20	181
LPL1415□□-221K	220			0.280	1.82	221
LPL1415□□-271K	270			0.320	1.80	271
LPL1415□□-331K	330			0.370	1.30	331
LPL1415□□-471K	470			0.560	1.03	471
LPL1415□□-561K	560			0.620	1.00	561
LPL1415□□-681K	680			0.780	0.98	681
LPL1415□□-821K	820			0.890	0.88	821
LPL1415□□-102K	1000	1.120	0.80	102		
LPL1415□□-122K	1200	1.410	0.78	122		
LPL1415□□-152K	1500	1.590	0.70	152		
LPL1415□□-182K	1800	2.210	0.68	182		
LPL1415□□-222K	2200	2.390	0.60	222		
LPL1415□□-332K	3300	3.530	0.47	332		
LPL1415□□-472K	4700	5.280	0.41	472		
LPL1415□□-682K	6800	7.940	0.34	682		
LPL1415□□-103K	10000	10.75	0.32	103		
LPL1415□□-153K	15000	19.70	0.27	153		

LPL1415 Series



<http://www.abco.co.kr>

▼ Test Equipments

. L : HIOKI 3511-50 Precision LCR Meter

. Rdc : HIOKI 3541 mΩ HiTESTER

. Idc : Agilent 4284A Precision LCR meter + 42841A Bias current source or equivalent

▼ Test Condition

. Idc(The saturation current) : $\Delta L \leq 20\%$ reduction from initial $L \pm 20\%$ value

$\Delta L \leq 10\%$ reduction from initial $L \pm 10\%$ value

※ Rated DC current : Idc

▼ Operating Temperature Range

-40 ~ +105°C (Including self-generated heat)