

## ABCO LEAD TYPE POWER INDUCTOR

### LPL1619 Series

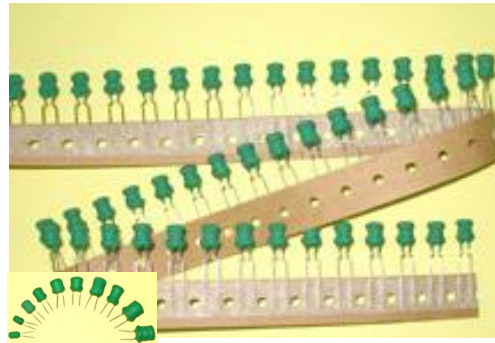
**Bulk**



**Tube**



**Taping**



**Sales Dept.**

TEL : 82-31-730-5082 FAX : 82-31-730-5082

**R&D Dept.**

TEL : 82-31-730-5052 FAX : 82-31-730-5034



31,Dunchon-daero 388 beon-gil,Jungwon-gu, Seongnam-si,Gyeonggi-do,Korea.

**ABCO ELECTRONICS CO., LTD.**

# Leaded power inductor



<http://www.abco.co.kr>

---

## Leaded type

### ▼ OPERATION TEMP

LPL1619 Series : -40°C ~ +105°C (Including self-generated heat)

### ▼ PRODUCT IDENTIFICATION

<u>LPL</u>	<u>1619</u>	<u>B</u>	<u>B</u>	-	<u>100</u>	<u>M</u>
①	②	③	④		⑤	⑥

① Product name (Leaded power inductor)

② Dimensions (Diameter × Height)

1619 : 16.0mm × 19.0mm<sup>1)</sup>

1) See Dimensions page for height

③ Packing style

B: Straight Bulk type

S : Straight Taping type

T: M-forming Taping type

④ Coating style

Blank : Moulding type

B : Tube type

⑤ Inductance

1R0 : 1.0 μH

100 : 10 μH

101 : 100 μH

102 : 1000 μH

⑥ Tolerance

K : ±10%

M : ±20%

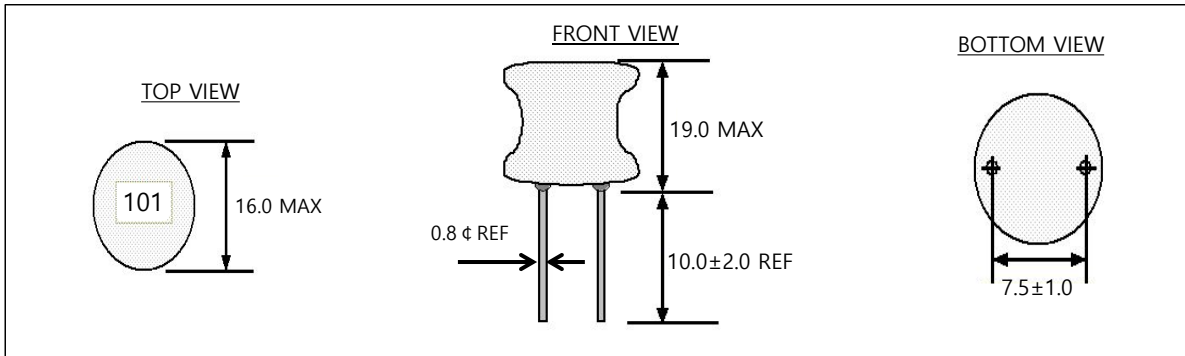
# LPL1619 Series



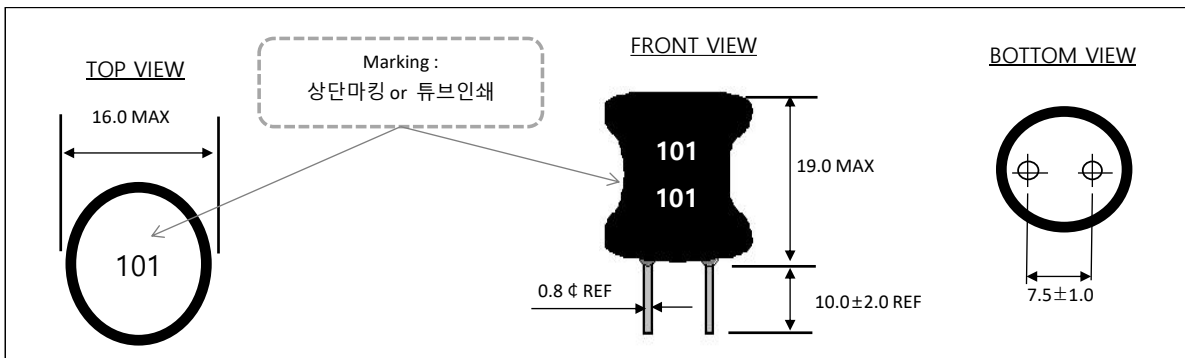
<http://www.kumhparts.com>  
<http://www.abco.co.kr>

## 1. DIMENSIONS (unit : mm)

### 1-1) Bulk Type (LPL1619B)



### 1-2) Tube Type (LPL1619BB)



# LPL1619 Series



<http://www.abco.co.kr>

## 2. Electrical Characteristics

Code	Inductance		Freq.	DC Resistance	Rated DC	MAR KING
Code	L (uH)	Tol. (%)	F (KHz)	Rdc( $\Omega$ ) Max.	current(A) Max.	
LPL1619□□-150K	15.0			0.020	7.90	150
LPL1619□□-220K	22.0			0.023	6.80	220
LPL1619□□-390K	39.0			0.031	5.59	390
LPL1619□□-470K	47.0			0.040	5.10	470
LPL1619□□-560K	56.0			0.044	4.98	560
LPL1619□□-101K	100			0.080	2.78	101
LPL1619□□-121K	120			0.110	2.59	121
LPL1619□□-151K	150			0.131	2.51	151
LPL1619□□-221K	220			0.180	2.03	221
LPL1619□□-331K	330			0.267	1.79	331
LPL1619□□-391K	390			0.300	1.64	391
LPL1619□□-471K	470			0.398	1.45	471
LPL1619□□-561K	560			0.530	1.12	561
LPL1619□□-681K	680	±10	1.0	0.590	1.10	681
LPL1619□□-821K	820			0.670	1.03	821
LPL1619□□-102K	1000			0.890	1.02	102
LPL1619□□-122K	1200			1.000	1.01	122
LPL1619□□-152K	1500			1.190	0.76	152
LPL1619□□-182K	1800			1.540	0.68	182
LPL1619□□-222K	2200			1.860	0.62	222
LPL1619□□-332K	3300			2.420	0.52	332
LPL1619□□-392K	3900			3.040	0.47	392
LPL1619□□-472K	4700			3.910	0.43	472
LPL1619□□-682K	6800			5.690	0.37	682
LPL1619□□-822K	8200			6.500	0.31	822
LPL1619□□-103K	10000			8.910	0.25	103
LPL1619□□-153K	15000			11.830	0.24	153

# LPL1619 Series



<http://www.abco.co.kr>

---

## ▼ Test Equipments

. L : HIOKI 3511-50 Precision LCR Meter

. Rdc : HIOKI 3541 mΩ HiTESTER

. Idc : Agilent 4284A Precision LCR meter + 42841A Bias current source or equivalent

## ▼ Test Condition

. Idc(The saturation current) :  $\Delta L \leq 20\%$  reduction from initial  $L \pm 20\%$  value

$\Delta L \leq 10\%$  reduction from initial  $L \pm 10\%$  value

※ Rated DC current : Idc

## ▼ Operating Temperature Range

-40 ~ +105°C (Including self-generated heat)