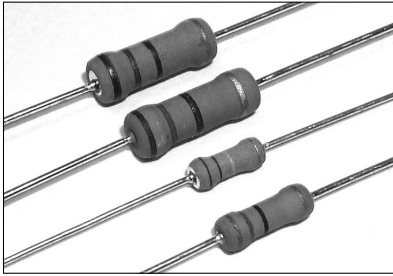


# MOR SERIES

## FIXED METAL OXIDE FILM RESISTORS



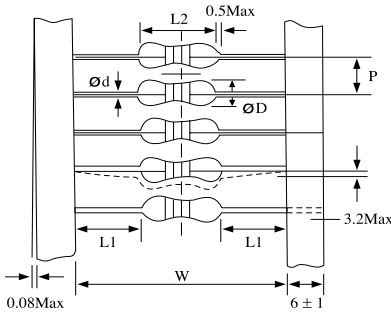
### ■ FEATURES

- Excellent mechanical and thermal shock at a high temperature
- Flame proof overloaded owing to the flame resistant coating
- Suitable to pulse circuits
- Coating Color: Blue(MOR 1W, 2W), Green(MORS 1W, 2W, 3W)
- Miniature size(MORS 1W, 2W, 3W)result in 50% space saving
- Marking: Color Code

### ■ TAPING DIMENSIONS

Unit: mm

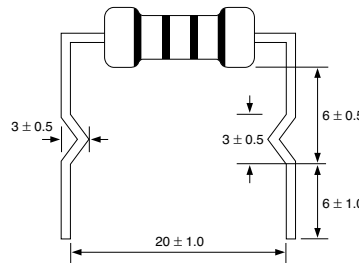
Type	W	L1	d	L2	P	D
MORS 1W	52 ± 1.0	21.5 ± 1.0	0.70	9.0 ± 0.4	5.0 ± 1.0	3.3 ± 0.2
MOR 1W	64 ± 1.0	26 ± 1.0	0.80	12.0 ± 1.0	5.0 ± 1.0	3.8 ± 0.3
MORS 2W	64 ± 1.0	26 ± 1.0	0.80	12.0 ± 1.0	5.0 ± 1.0	3.8 ± 0.3
MOR 2W	64 ± 1.0	24 ± 1.0	0.80	16.0 ± 1.0	10.0 ± 1.0	5.6 ± 0.5
MORS 3W	64 ± 1.0	24 ± 1.0	0.80	16.0 ± 1.0	10.0 ± 1.0	5.6 ± 0.5



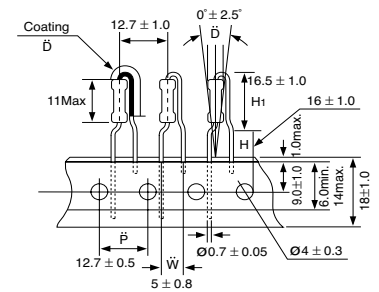
Type	DIMENSIONS(mm)			
	P	W	H1	H
MOR 1W R-J	12.7±0.5	5±0.8	16.5±1.0	16.0±1.0
MORS 2W R-J	12.7±0.5	5±0.8	16.5±1.0	16.0±1.0

### ■ SELF-STANDING LEAD TYPE

#### • M-FORMING TYPE



### ■ R-FORMING TYPE



### ■ SPECIFICATIONS

Type	Power Rating (W)	Max. Working Voltage(V)	Max. Overload Voltage(V)	Rating Ambient Temp.	Operating Temp. Range	Resistance Range	
						E-24-G(±2%)	E-24-J(±5%)
MORS 1W	1	350	600	+70°C	-55°C~ +235°C	10-470K	1-470K
MOR 1W	1	350	600			10-470K	1-470K
MORS 2W	2	350	600			10-470K	1-470K
MOR 2W	2	350	600			10-470K	1-470K
MORS 3W	3	400	700			10-470K	1-470K

\*Consult factory for resistance values outside of above standard range & tolerance.

\*\*Voltage rating is determined by  $E = \sqrt{P \cdot R}$ , E should not exceed Max. Working Voltage.

### ■ CHARACTERISTICS

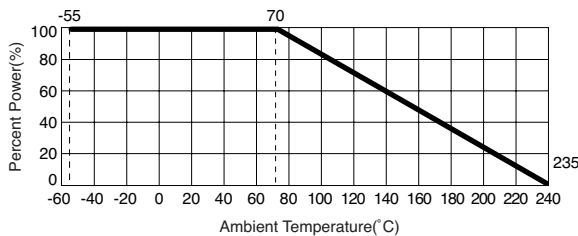
Characteristics	Performance
Short Time Over Load	± (1.0%+0.05Ω)
Dielectric Withstanding Voltage	± (1.0%+0.05Ω)
Resistance To Soldering Heat	± (1.0%+0.05Ω)
Terminal Strength	± (1.0%+0.05Ω)
Moisture Resistance	± (5.0%+0.05Ω)
Load Life	± (5.0%+0.05Ω)

### ■ HOW TO ORDER

MOR	1W	47Ω	J	TB
1	2	3	4	5

1. ABCO Code
2. Power Rating
3. Resistance
4. Tolerance(±2%, ±5%), ±5% is standard
5. Packing: TB is Tape & Ammo Box

### ■ DERATING CURVE



### ■ SURFACE TEMPERATURE RISE

